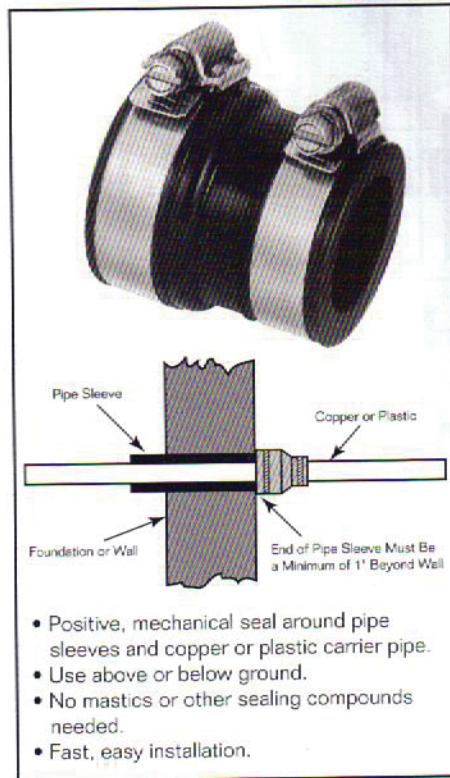


Pipe-Sleeve Seals

Seal pipe sleeves and carrier pipe



How To Install:

1. Pipe sleeve must be installed with a minimum 1" overhang beyond wall or foundation.
2. Loosen both stainless steel clamps on Fernco seal.
3. Place large end of seal on sleeve and tighten clamp.
4. Slide carrier pipe through seal, and tighten clamp.

Parts No.	Pipe Sleeve Size	Carrier Pipe Size (Copper or Plastic Pipe)
DTC 110	1-1/2"	3/4 or 1"
DTC 210	2"	3/4 or 1"
1056-315	3"	1-1/2"
1056-32	3"	2"
1056-415	4"	1-1/2"
1056-42	4"	2"
1056-43	4"	3"

